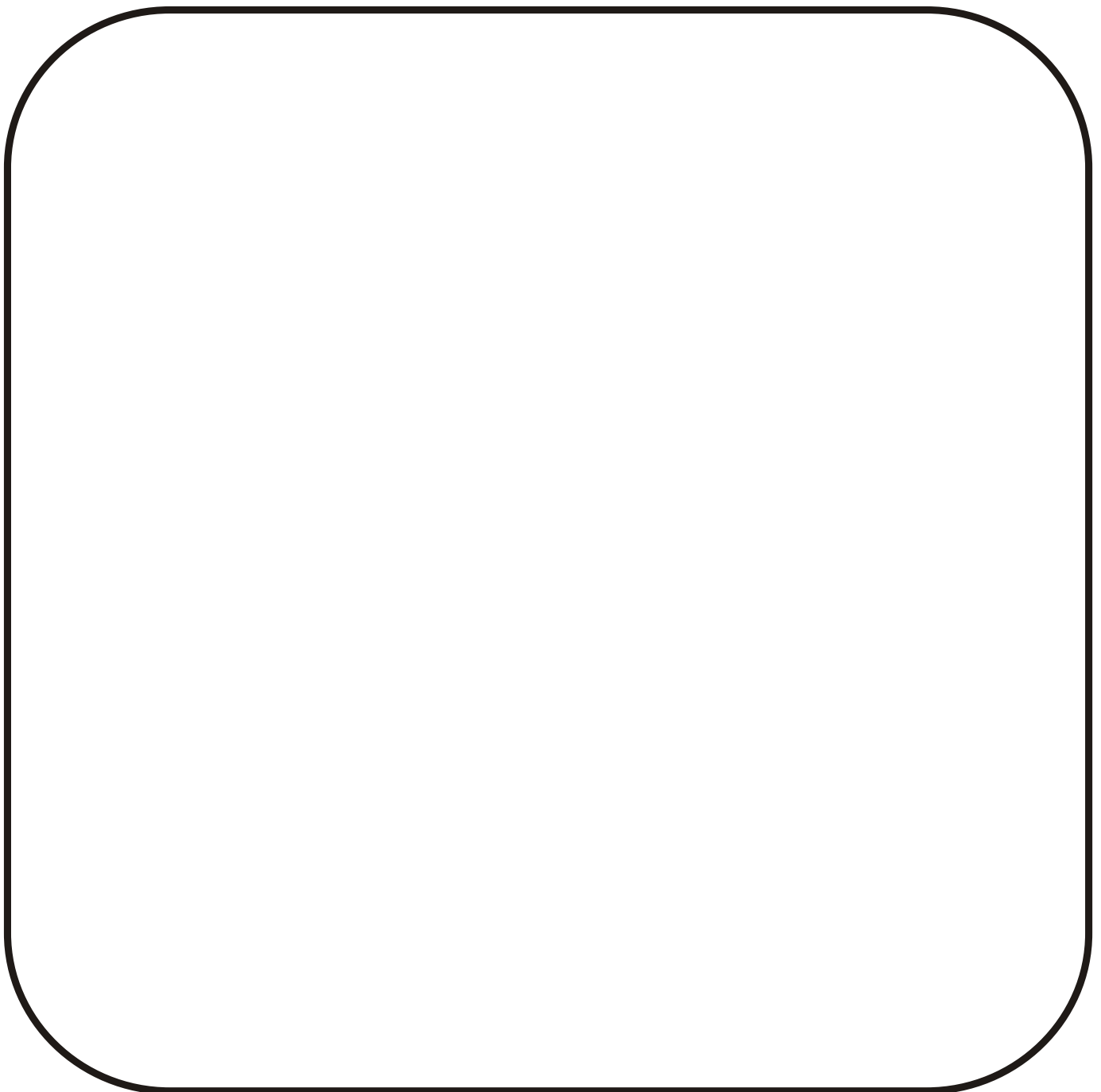


**PLOČASTI
ZASUNI**

6

**PLATE GATE
VALVES**



PRIMENA

Pločasti zasuni su uređaji koji služe kao zaporni organi u cevovodima kroz koje se transportuju pulpa, tečnosti sa sadržajem peska, kristala i drugih nečistoća.

Primenu nalaze u postrojenjima za prečišćavanje i pripremu vode, pumpnim stanicama, industriji celuloze i papira, u prehrambenoj, farmaceutskoj, hemijskoj i industriji boja i lakova, u rafinerijama, šećeranama i drugim mestima.

Primena pločastih zasuna preporučuje se u cevovodima u kojima su oni za vreme rada potpuno otvoreni ili potpuno zatvoreni, a strujanje radne materije može da bude u oba smera.

Pločasti zasuni se ne preporučuju za ugradnju u cevovodima gde je učestanost zatvaranja i otvaranja velika, a nisu pogodni ni kao regulatori protoka radne materije.

IZVOĐENJE

Izrađujemo pločaste zasune - tip "A" sa zapornim telom u obliku pravougaone ploče koja u srednjem delu ima otvor veličine nazivnog prečnika i pločaste zasune - tip "B" čije zaporno telo (ploča) nema otvor.

Pločasti zasun - tip "A" je otvoren kada se otvor u zapornom telu poklopi sa odgovarajućim otvorom na kućištu, a pločasti zasun - tip "B" kada zaporno telo napusti otvor na kućištu. Kretanje zapornih ploča je pravolinijsko, a vođenje ploča ostvaruje se specijalnim vođicama smeštenim u kućištu.

APPLICATION

Plate slide valves are the units that serve the purpose of shutoff bodies in the pipelines, conveying the liquids that contain pulp, sand, crystals and other impurities.

They are applied in the water treatment and water preparation plants, pump stations, cellulose and paper industries, food processing, pharmaceutical, chemical and paints and varnishes industry, in refineries, sugar factories and other similar plants.

The application of plate slide valves is recommended in the pipelines in which they are fully open or fully closed in the process of work, and flowing of the operating fluid can take place in both directions.

The plate slide valves are not recommended for fitting into pipelines where the frequency of closing and opening is high, and they are not suitable as regulators of operating matter flow either.

FABRICATION

We fabricate plate slide valves - type "A" with a shutoff body in the form of a rectangular plate that has an opening in the central part the size of which is equal to the nominal diameter size and plate slide valves - type "B", the shutoff body (i.e. plate) of which has no opening.

Plate slide valve - type "A" is open when the opening in the shutoff body matches a corresponding opening in the housing and type "B" is open when the shutoff body leaves the opening in the housing. The motion of the shutoff plates is



PLOČASTI ZASUNI PLATE GATE VALVES

PLZ

6

Zaptivanje se ostvaruje kontaktom odgovarajućih površina zapornih ploča i zaptivnih prstenova, smeštenih u odgovarajuće kanale kućišta.

Kućište pločastih zasuna je dvodelno, izrađeno od konstrukcionih čelika zavarivanjem, pri čemu se delovi kućišta vezuju zavrtnjevima. Ugradbena dužina zasuna je veoma mala, a ugradnja u cevovod, zbog svoje specifične konstrukcije ostvaruje se prolaznim zavrtnjevima koji se uvrću u telo kućišta.

Pločaste zasune izrađujemo sa ručnim, pneumatskim, hidrauličnim i elektromehaničkim pogonom. Maksimalne veličine zasuna, koje koriste odgovarajuću vrstu pogona određuju se u zavisnosti od jačine pogona.

Priključne mere su prema JUS M.B6.011 i DIN 2501, nazivni pritisak NP 10 (bar), a nazivni prečnici od DN 50 do DN 500 (mm).

MATERIJAL

Kućište pločastih zasuna izrađujemo od konstrukcionih čelika zavarivanjem, a zapornu ploču od nerđajućih čelika odgovarajuće površinske tvrdoće.

Primarno zaptivanje se ostvaruje između zaporne ploče i prstenova od tehničke plastike odgovarajuće tvrdoće, a sekundarno zaptivanje azbestno-grafitnim pletenicama i pljosnatom gumom.

NARUČIVANJE

Naručivanje se vrši opisno kao što je naznačeno u opštim napomenama.

rectilinear, the guiding of plates being accomplished by special guides, located in the housing.

Sealing is effected by the contact of corresponding shutoff plates surfaces and the sealing rings, located in corresponding housing channels.

The plate slide valves housing is divided, fabricated of the structure steel by welding and the parts of the housing are connected by bolts. The in-built length of the plate slide valve is quite small and its fitting into the pipeline is achieved by the through bolt, twisted into the housing body, due to its specific structure.

The plate slide valves are fabricated with manual, pneumatic, hydraulic, and electromechanical drives. The maximum sizes of the plate slide valves, using a corresponding drive type, are determined, depending on the drive power (strength).

The in-built measures are according to JUS M.B6.011 and DIN 2501, nominal pressure NP 10 (bar), and nominal diameters from DN 50 to DN 500 (mm).

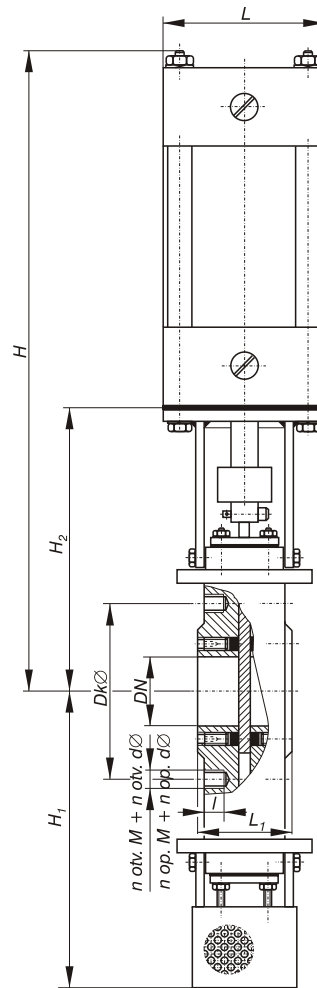
MATERIAL

The plate valve housing is fabricated of structural steel by welding, and the shutoff plate - of the corresponding superficial hardness stainless steel.

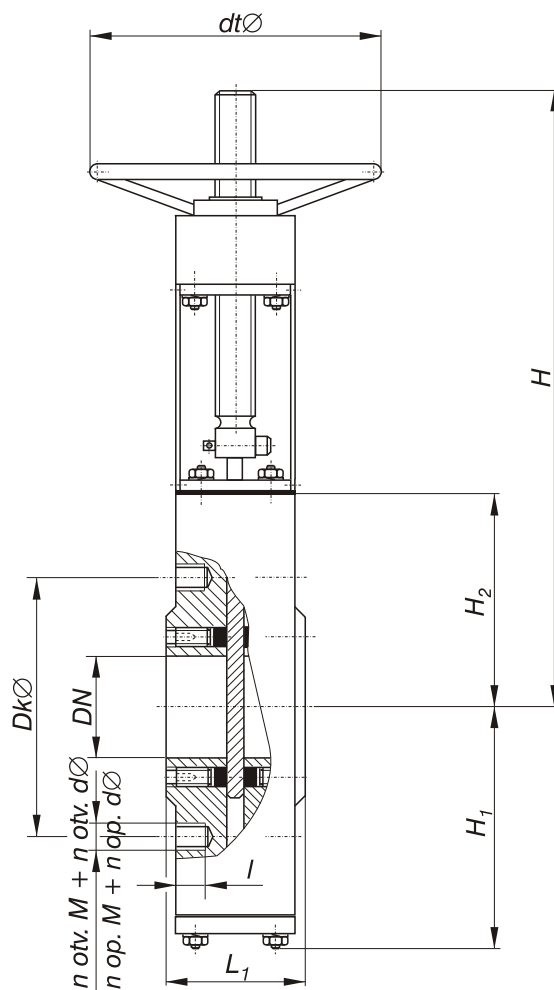
Primary sealing is effected between the shutoff plate and rings made of corresponding hardness technical plastics and secondary sealing - by means of asbestos-cement cords and flat rubber.

HOW TO ORDER

You can order as described in general notes.



DN	DkØ	H	H ₁	H ₂	L ₁	n otv. d n op. d	n otv. M n op. M	L	l	m(kg)
50	125	731	231	288	70	2 X 18	2 X M16	150	15	20
65	145	794	250	315	70	2 X 18	2 X M16	150	15	23
80	160	860	270	341	70	4 X 18	4 X M16	150	17	26
100	180	1057	319	403	70	4 X 18	4 X M16	170	17	33
125	210	1180	410	448	70	4 X 18	4 X M16	170	17	37
150	240	1304	469	484	70	4 X 22	4 X M20	205	19	58
200	295	1539	608	551	70	4 X 22	4 X M20	260	23	83
250	350	1894	705	639	80	4 X 22	8 X M 20	260	25	108
300	400	2104	811	741	80	4 X 22	8 X M20	300	25	166
350	460	2571	1013	926	80	4 X 22	12 X M20	300	26	216
400	515	2955	1139	1037	80	4 X 26	12 X M24	390	28	280
450	565	3163	1248	1161	90	4 X 26	16 X M24	390	28	325
500	620	3546	1360	1277	90	4 X 26	16 X M24	390	30	376



DN	DkØ	H	H ₁	H ₂	L ₁	n otv. dØ n op. dØ	n otv. M n op. M	dtØ	l	m(kg)
50	125	380	90	105	60	2 X 18	2 X M16	200	15	20
65	145	410	95	110	60	2 X 18	2 X M16	200	15	25
80	160	440	100	120	60	4 X 18	4 X M16	200	17	32
100	180	560	135	145	70	4 X 18	4 X M16	250	17	44
125	210	620	150	160	70	4 X 18	4 X M16	250	17	60
150	240	680	170	180	70	4 X 22	4 X M20	250	19	80
200	295	815	200	230	70	4 X 22	4 X M20	360	23	108
250	350	940	230	260	80	4 X 22	8 X M 20	360	25	144
300	400	1035	250	280	80	4 X 22	8 X M20	360	25	193
350	460	1150	280	300	80	4 X 22	12 X M20	360	26	258
400	515	1250	310	335	80	4 X 26	12 X M24	360	28	346
450	565	1350	350	380	90	4 X 26	16 X M24	400	28	463
500	620	1450	400	430	90	4 X 26	16 X M24	400	30	620

*) ostale veličine na zahtev

*) other values at requirement

MIN - AGH d.d. development, production and trade of pipe fittings
18 240 Gadžin Han, Yugoslavia; tel.: +381 18/860-120, 860-009, 860-911; fax: 860-119